

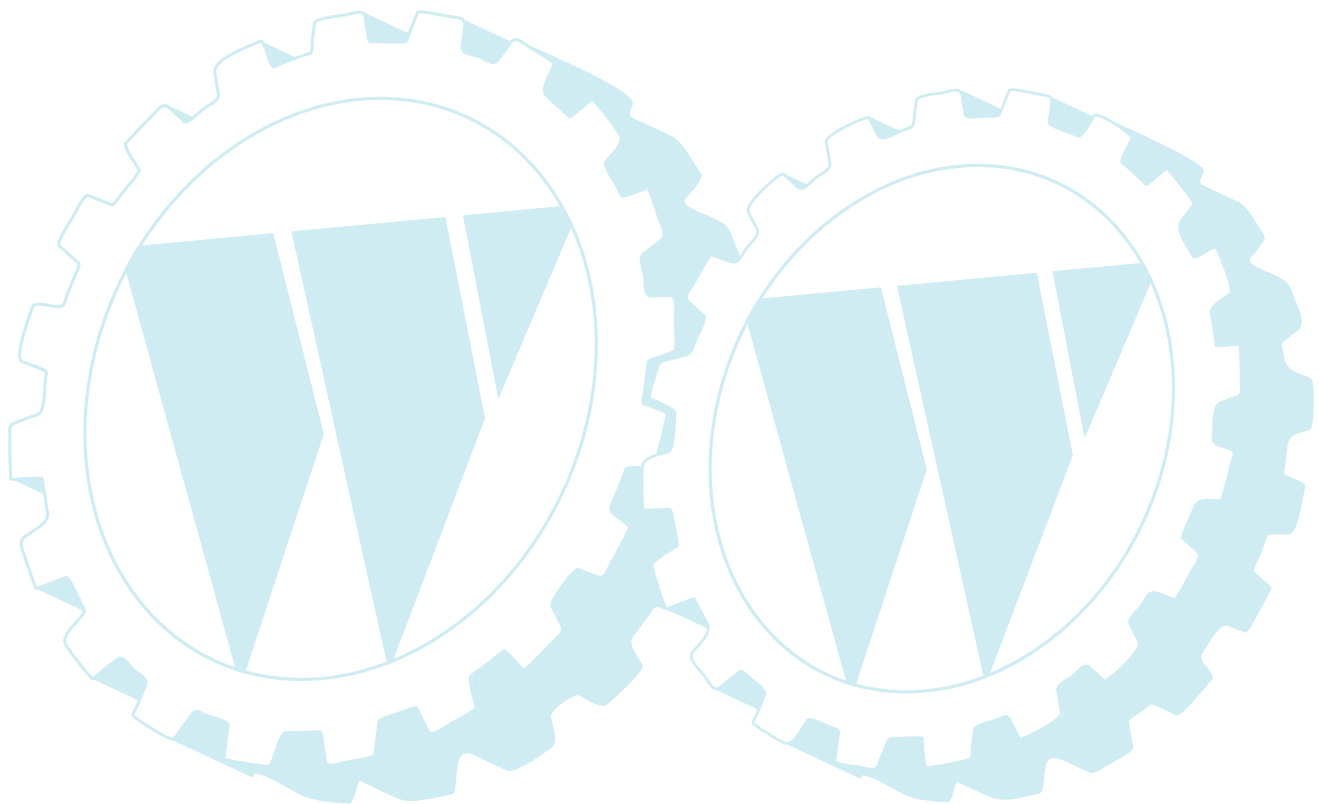
## ILLUSTRATED PARTS BREAKDOWN

**BERNARD**

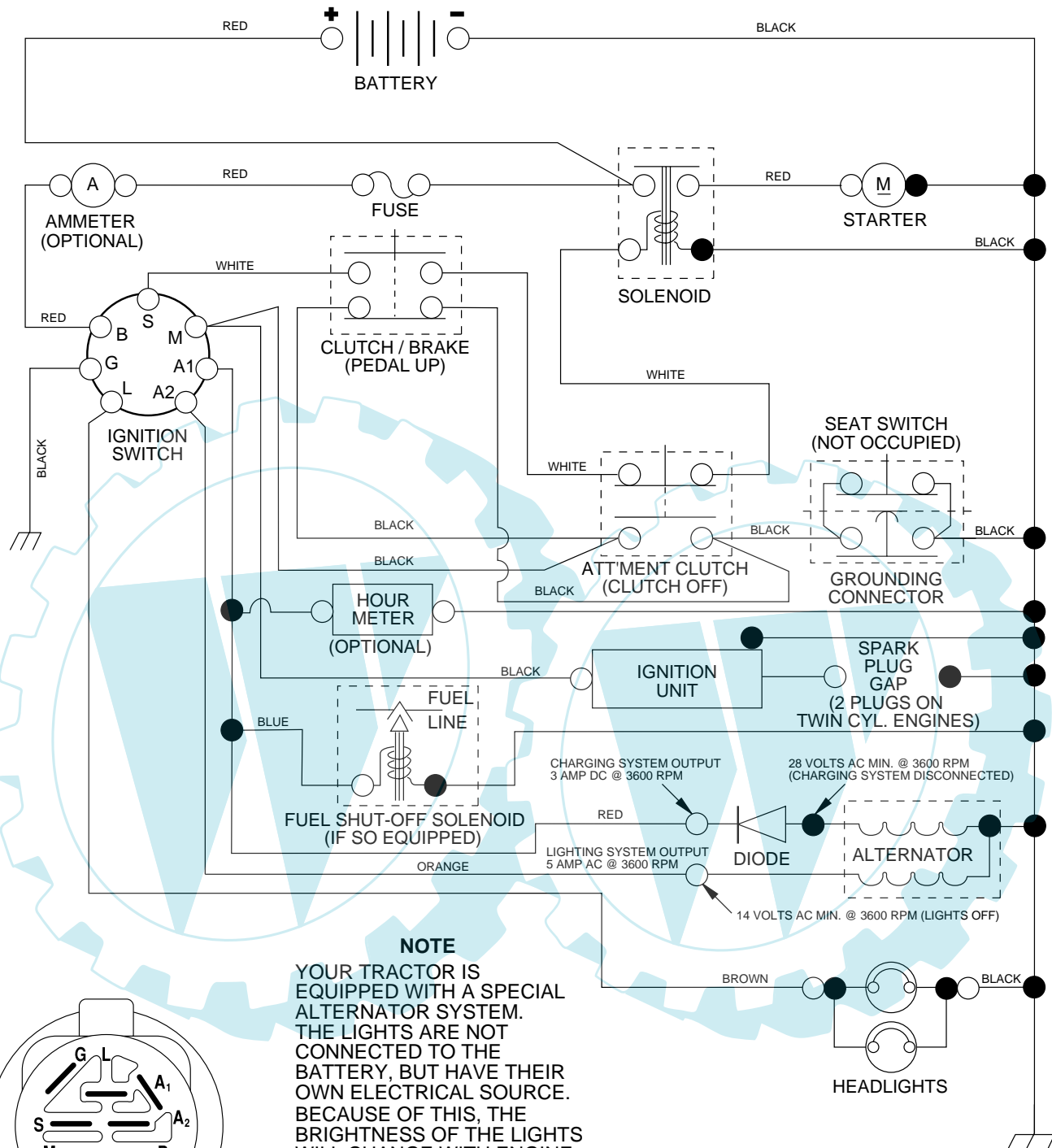
**15.5 HP LAWN TRACTOR**

**MODEL NO. BL155107SBK (BL155107B)**

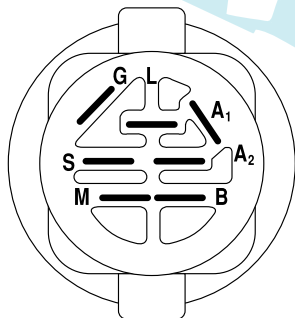
**964 77 07-01**



**TRACTOR - MODEL NO. BL155107SBK (BL155107B), PRODUCT NO. 964 77 07-01  
SCHEMATIC**



**NOTE**  
YOUR TRACTOR IS EQUIPPED WITH A SPECIAL ALTERNATOR SYSTEM. THE LIGHTS ARE NOT CONNECTED TO THE BATTERY, BUT HAVE THEIR OWN ELECTRICAL SOURCE. BECAUSE OF THIS, THE BRIGHTNESS OF THE LIGHTS WILL CHANGE WITH ENGINE SPEED. AT IDLE THE LIGHTS WILL DIM. AS THE ENGINE IS SPEEDED UP, THE LIGHTS WILL BECOME THEIR BRIGHTEST.



**IGNITION SWITCH**

POSITION	CIRCUIT	"MAKE"
OFF	M+G+A1	NONE
RUN/LIGHT	B+A1	A2+L
RUN	B+A1	NONE
START	B + S + A1	NONE

**WIRING INSULATED CLIPS**

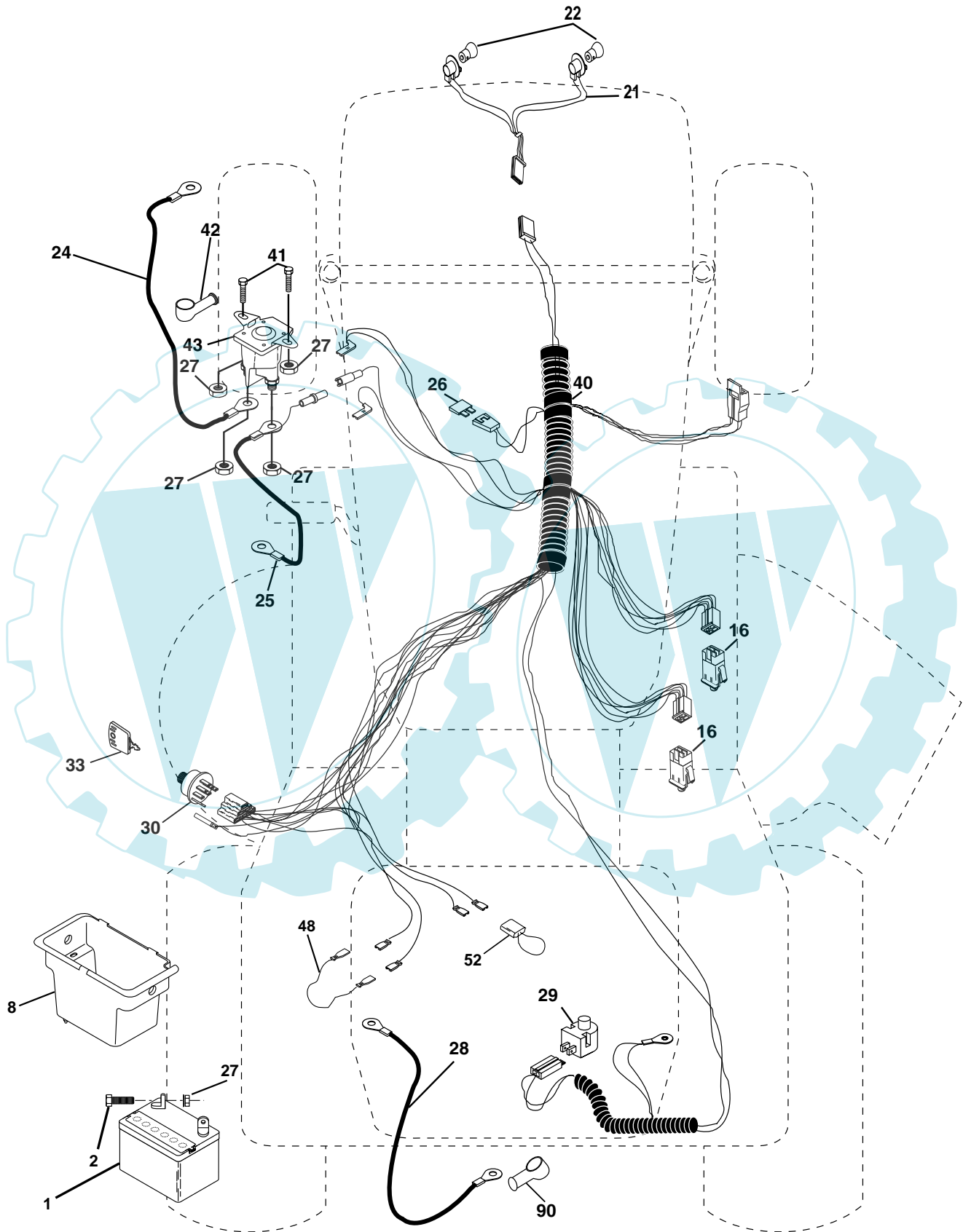
**NOTE:** IF WIRING INSULATED CLIPS WERE REMOVED FOR SERVICING OF UNIT, THEY SHOULD BE REPLACED TO PROPERLY SECURE YOUR WIRING.

NON-REMOVABLE CONNECTIONS

REMOVABLE CONNECTIONS

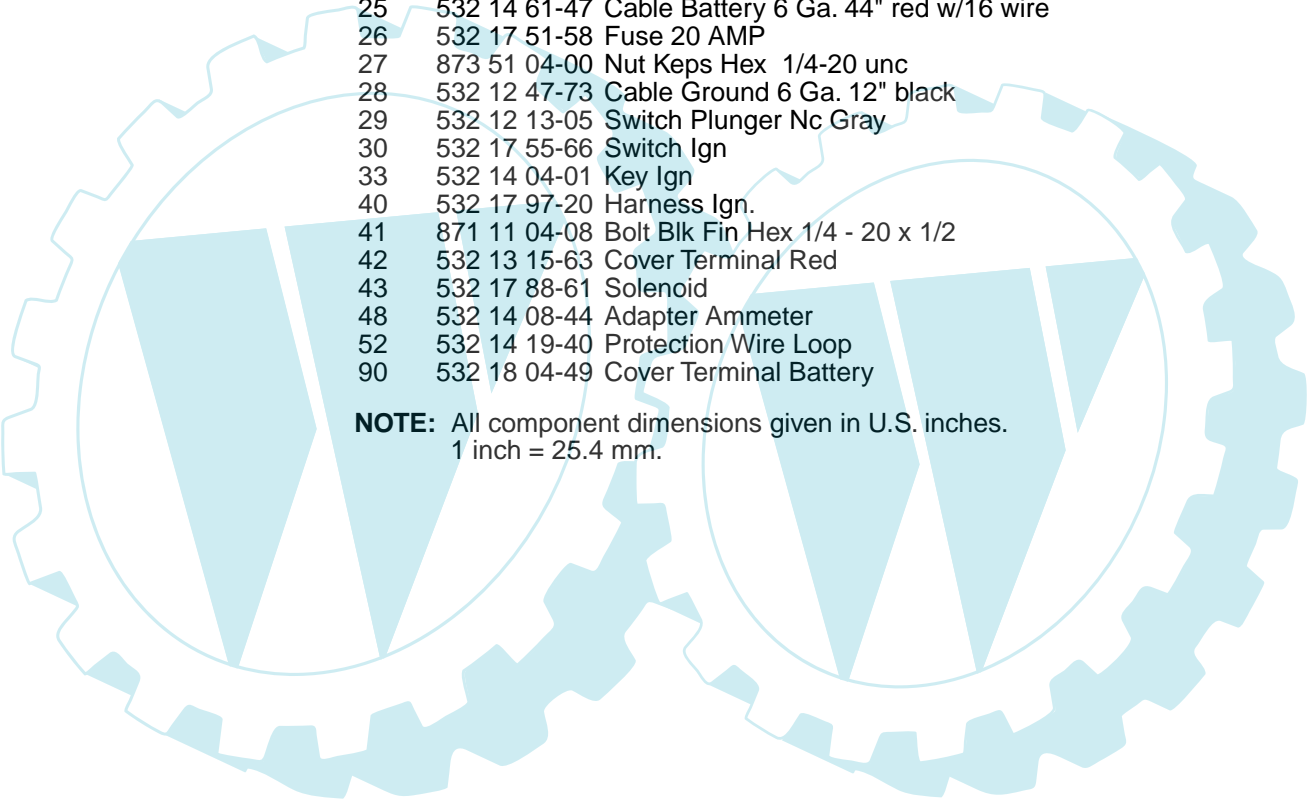
# REPAIR PARTS

TRACTOR - MODEL NO. BL155107SBK (BL155107B), PRODUCT NO. 964 77 07-01  
ELECTRICAL



## REPAIR PARTS

TRACTOR - MODEL NO. BL155107SBK (BL155107B), PRODUCT NO. 964 77 07-01  
ELECTRICAL

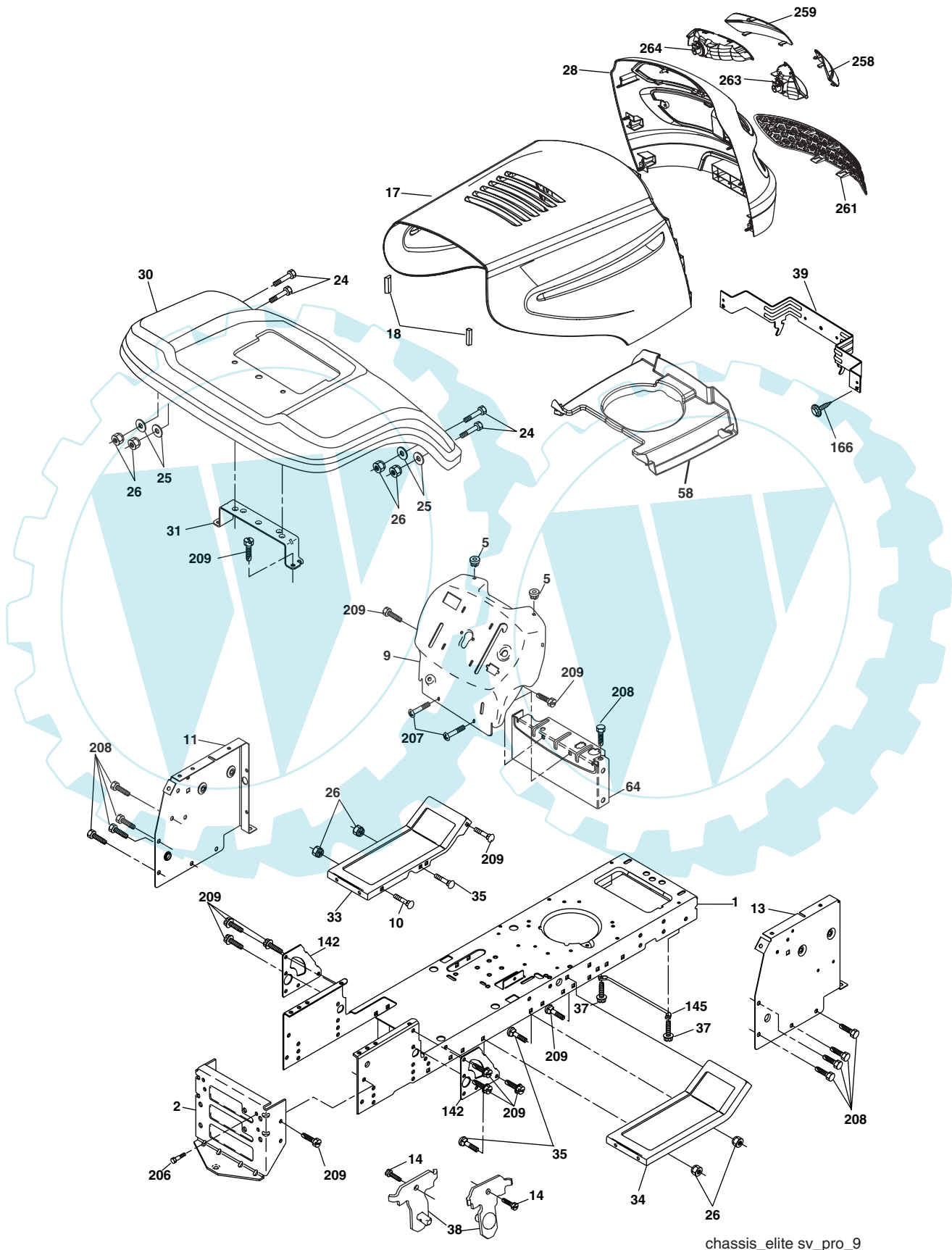


KEY NO.	PART NO.	DESCRIPTION
1	532 16 34-65	Battery 12 Volt 28 AMP
2	874 76 04-12	Bolt Hex Hd 1/4-20 unc x 3/4
8	532 17 66-89	Box Battery Fender
16	532 17 61-38	Switch Interlock Push-In
21	<b>532 18 37-59</b>	Harness Asm Light W/4152j
22	532 00 41-52	Bulb Light #1156
24	532 12 47-80	Cable Battery 6 Ga. 11" red
25	532 14 61-47	Cable Battery 6 Ga. 44" red w/16 wire
26	532 17 51-58	Fuse 20 AMP
27	873 51 04-00	Nut Keps Hex 1/4-20 unc
28	532 12 47-73	Cable Ground 6 Ga. 12" black
29	532 12 13-05	Switch Plunger Nc Gray
30	532 17 55-66	Switch Ign
33	532 14 04-01	Key Ign
40	532 17 97-20	Harness Ign.
41	871 11 04-08	Bolt Blk Fin Hex 1/4 - 20 x 1/2
42	532 13 15-63	Cover Terminal Red
43	532 17 88-61	Solenoid
48	532 14 08-44	Adapter Ammeter
52	532 14 19-40	Protection Wire Loop
90	532 18 04-49	Cover Terminal Battery

**NOTE:** All component dimensions given in U.S. inches.  
1 inch = 25.4 mm.

# REPAIR PARTS

TRACTOR - MODEL NO. BL155107SBK (BL155107B), PRODUCT NO. 964 77 07-01  
CHASSIS AND ENCLOSURES



chassis\_elite sv\_pro\_9

## REPAIR PARTS

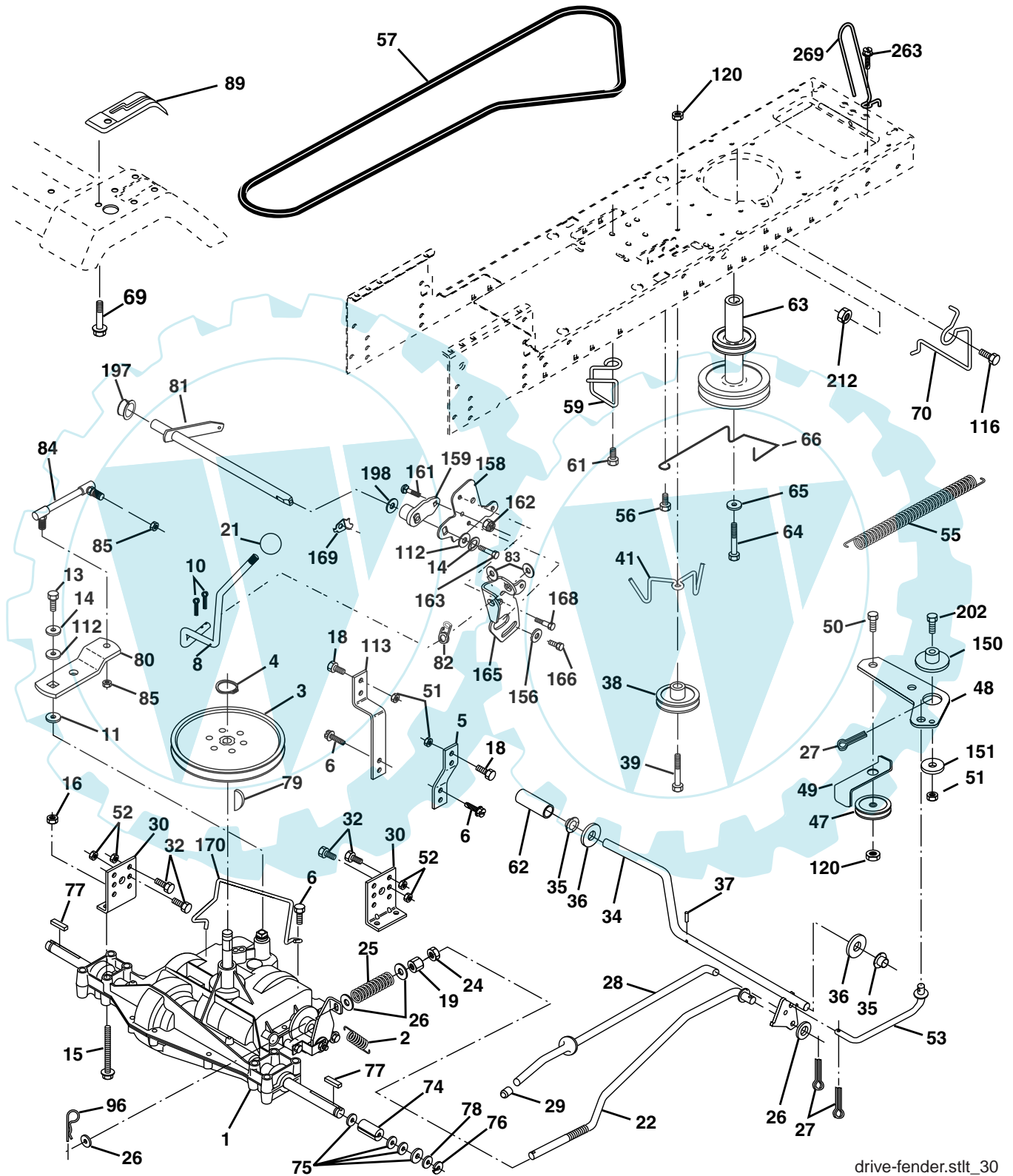
TRACTOR - MODEL NO. BL155107SBK (BL155107B), PRODUCT NO. 964 77 07-01  
CHASSIS AND ENCLOSURES

KEY NO.	PART NO.	DESCRIPTION
1	532 17 46-19	Chassis Weldment
2	532 17 65-54	Drawbar
5	532 15 52-72	Bumper Hood/Dash
9	532 18 52-74	Dash P/L
10	872 14 06-08	Bolt Carriage 3/8-16 x 1
11	532 17 49-96	Panel Dash Lh
13	<b>532 18 69-52</b>	Panel Dash Rh
14	817 49 06-08	Screw Thdrol 3/8-16 x 1/2
17	<b>532 18 58-47</b>	Hood
18	532 18 49-21	Bumper Hood
24	874 78 06-16	Bolt Fin Hex 3/8-16 unc x 1 Gr. 5
25	819 13 13-12	Washer 13/32 X 13/16 X 12 Ga.
26	873 80 06-00	Nut Lock Hex W/Ins 3/8-16 unc
28	<b>532 18 97-48</b>	Grill
30	532 17 30-26	Fender
31	532 13 66-19	Bracket Support Fender
33	<b>532 18 30-81</b>	Footrest LH
34	<b>532 18 30-80</b>	Footrest RH
35	872 11 06-06	Bolt RDHD 3/8-16 x 3/4
37	817 49 05-08	Screw Thdrol 6/16-18 x 1/2 TYT
38	532 17 57-10	Bracket, Asm. Pivot
39	532 17 47-14	Bracket Pivot Laser
58	<b>532 15 01-27</b>	Duct Air Engine
64	532 15 47-98	Dash Lower STLT
142	532 17 57-02	Plate Reinforcement STLT
145	532 15 65-24	Rod Pivot Chassis/Hood
166	532 17 18-75	Screw HWHD Li-Lo #13-16 x 3/4
206	532 17 01-65	Bolt Shoulder 5/16-18
207	817 67 05-08	Screw Thdrol 5/16-18 x 1/2
208	817 67 06-08	Screw Thdrol 3/8-16 x 1/2
209	817 00 06-12	Screw 3/8-16 x 3/4
212	532 17 51-43	Insert Lens Reflective
258	<b>532 18 97-55</b>	Lens Grille RH
259	<b>532 18 97-54</b>	Lens Grille LH
261	<b>532 18 97-53</b>	Insert Grille
263	<b>532 18 38-33</b>	Bezel Grille RH
264	<b>532 18 38-32</b>	Bezel Grille LH

**NOTE:** All component dimensions given in U.S. inches  
1 inch = 25.4 mm

# REPAIR PARTS

TRACTOR - MODEL NO. BL155107SBK (BL155107B), PRODUCT NO. 964 77 07-01  
DRIVE



drive-fender.stlt\_30



# REPAIR PARTS

TRACTOR - MODEL NO. BL155107SBK (BL155107B), PRODUCT NO. 964 77 07-01  
DRIVE

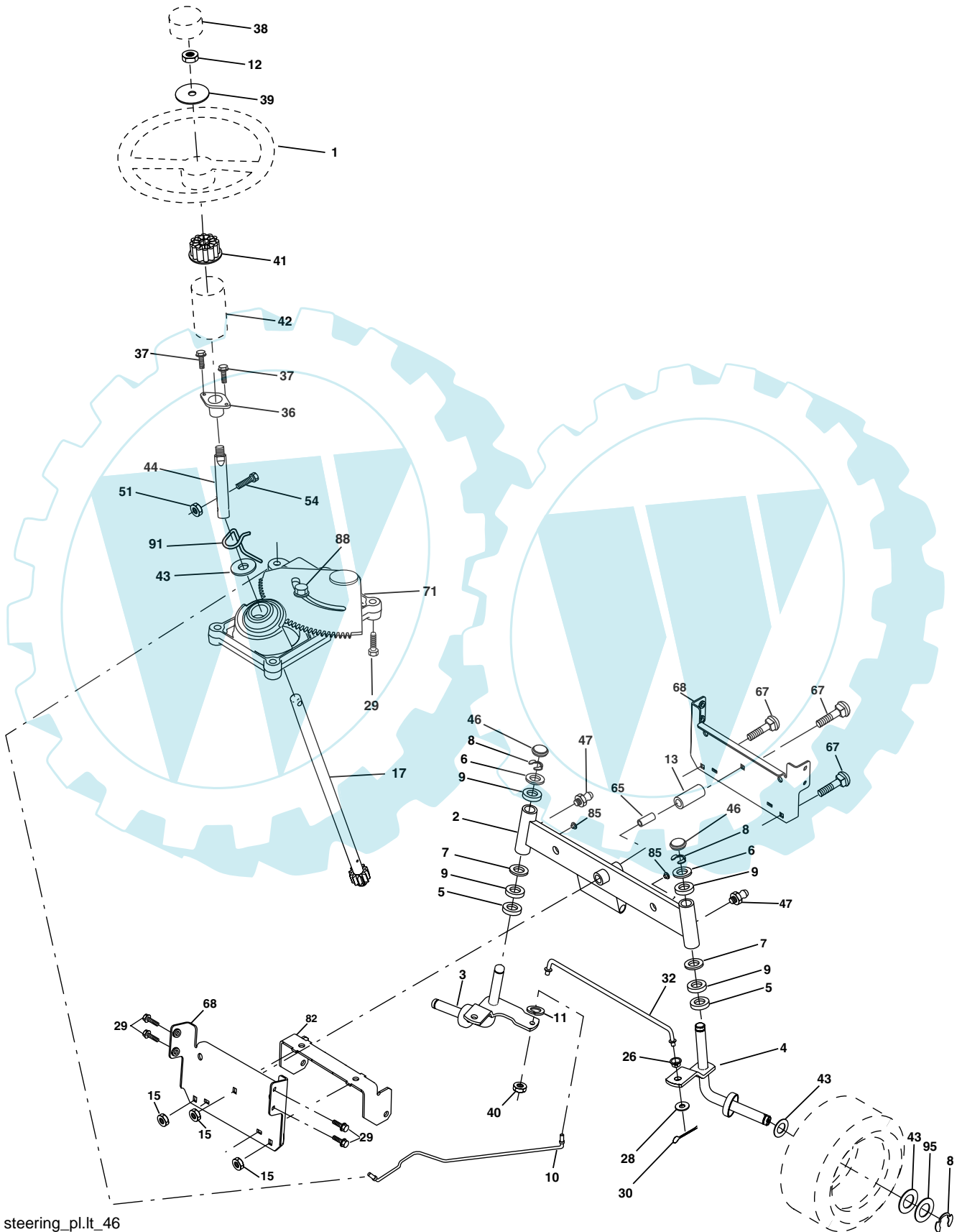
KEY NO.	PART NO.	DESCRIPTION	KEY NO.	PART NO.	DESCRIPTION
1	-----	Transaxle Peerless 206-545C Order parts from transaxle manufacturer	62	532 12 48-72	Cover Pedal Round
2	532 14 66-82	Spring Return Brake T/a Zinc	63	532 18 02-19	Engine Pulley
3	532 12 36-66	Pulley Transaxle 18" tires	64	<b>532 17 39-37</b>	Bolt Hex
4	812 00 00-28	Ring Retainer # 5100-62	65	810 04 07-00	Washer Lock Hvy Hlcl Spr 7/16
5	532 12 15-20	Strap Torque 30 Degrees	66	532 15 47-78	Keeper Belt Engine Foolproof
6	817 06 05-12	Screw Thdrol 5/16-18	69	532 14 24-32	Screw Hex 1/4-1/2 unc
8	532 16 56-19	Rod Shift Fender Adjust Lt	70	532 18 02-18	Guide Belt Mower Drive RH
10	876 02 04-16	Pin Cotter 1/8 x 1 Cad	74	532 13 70-57	Spacer Axle
11	532 10 57-01	Washer Plate Shf 388 Sq Hole	75	532 12 17-49	Washer 25/32 x 1 1/4 x 16 Ga.
13	874 55 04-12	Bolt 1/4-28 unf Gr. 8 W/Patch	76	812 00 00-01	E-ring #5133-75
14	810 04 04-00	Washer Lock Hvy Helical	77	532 12 35-83	Key Square 2 0 x 1845/ 1865
15	<b>874 49 05-44</b>	Bolt Hex 5/16-18 Gr. 5	78	532 12 17-48	Washer 25/32 x 1-5/8 x 16 Ga.
16	873 80 05-00	Nut Lock Hex w/Ins 5/16-18	79	532 12 50-96	Key Woodruff #9 3/16 x 3/4
18	874 78 06-16	Bolt, Fin Hex 3/8-16 unc x 1 Gr. 5	80	532 13 14-86	Arm Shift
19	873 80 06-00	Nut Lock 3/8-16 unc	81	532 16 55-94	Shaft Asm Cross 18"t
21	532 10 69-33	Knob	82	532 12 37-82	Spring Torsion T/a
22	532 13 08-04	Rod Brake Blk Zinc 26 840	83	819 17 12-16	Washer 17/32 x 3/4 x 16 Ga.
24	873 35 06-00	Nut Hex Jam 3/8-16 unc	84	532 16 62-28	Link Transaxle
25	532 10 68-88	Spring Rod Brake 2 00 Zinc	85	532 15 03-60	Nut Lock Center 1/4 - 28 FNTHD
26	819 13 13-16	Washer 13/32 x 13/16 x 16 Ga.	89	532 18 30-43	Console Shift STLT
27	876 02 04-12	Pin Cotter 1/8 x 3/4 Cad	96	532 12 47-88	Retainer Spring 1"
28	532 17 57-65	Rod Brake Parking LT/YT	112	819 09 12-10	Washer 9/32 x 3/4 x 10 Ga.
29	532 07 16-73	Cap Brake Parking Black	113	532 12 72-85	Strap Torque LT
30	532 17 49-73	Bracket Mtg Transaxle	116	872 14 06-08	Bolt Rdhd Sq Neck 3/8-16 x 1.0
32	874 76 05-12	Bolt Hex Hd 5/16-18 unc x 3/4	120	873 90 06-00	Nut Lock Flg. 3/8-16 unc
34	532 17 55-78	Shaft Asm Pedal Foot	150	532 17 54-56	Spacer
35	532 12 01-83	Bearing Nylon Blk 629 Id	151	819 13 32-10	Washer 13/32 x 2 x 10 Ga.
36	819 21 16-16	Washer 21/32 x 1 x 16 Ga.	156	532 16 60-02	Washer Srrted 5/16 ID x 1.125
37	532 12 49-63	Pin Roll 3/16 x 1"	158	532 16 55-89	Bracket Shift Mount
38	532 17 91-14	Pulley Idler Composite	159	532 18 39-00	Hub Shift
39	<b>872 11 06-22</b>	Bolt Fin Hex 3/8-16 unc x 2-3/4 Gr. 5	161	872 14 04-06	Bolt Rdhd Sqnk 1/4-20 x 3/4 Gr. 5
41	532 17 55-56	Keeper Belt Idler Flat	162	873 68 04-00	Nut Crownlock 1/4-20 unc
47	532 12 77-83	Pulley Idler V Groove Plastic	163	874 78 04-16	Bolt Hex Fin 1/4-20 unc x 1 Gr. 5
48	532 15 44-07	Bellcrank Clutch Grnd Driv	165	532 16 56-23	Bracket Pivot Lever
49	532 12 32-05	Retainer Belt Style Spring	166	<b>817 49 05-10</b>	Screw 5/16-18 x 5/8
50	872 11 06-12	Bolt 3/8-16 x 1-1/2 Gr. 5	168	532 16 54-92	Bolt Shoulder 5/16-18 x .561
51	873 68 06-00	Nut Crownlock 3/8-16 unc	169	532 16 55-80	Plate Fastening Lt
52	873 68 05-00	Nut Crownlock 5/16-18 unc	170	532 17 83-94	Keeper, Belt T/A D/P
53	532 10 57-10	Link Clutch	197	532 16 96-13	Nyliner Snap-In
55	532 10 57-09	Spring Return Clutch 6 75	198	532 16 95-93	Washer Nyl 7/8 ID x 105"
56	817 06 06-20	Screw 3/8-16 x 3/4	202	872 11 06-14	Bolt Carr. SH 3/8-16 x 1-3/4 Gr. 5
57	532 13 08-01	V-Belt Ground Drive 95 25	212	532 14 52-12	Nut, Hex Flange Lock
59	532 16 96-91	Keeper Belt Span Ctr	263	817 00 06-12	Screw 3/8-16 x 3/4
61	817 12 06-14	Screw 3/8-16 x .875	269	532 18 24-02	Guard Muffler

**NOTE:** All component dimensions given in U.S. inches  
1 inch = 25.4 mm



# REPAIR PARTS

TRACTOR - MODEL NO. BL155107SBK (BL155107B), PRODUCT NO. 964 77 07-01  
STEERING ASSEMBLY



steering\_pl.lt\_46

## REPAIR PARTS

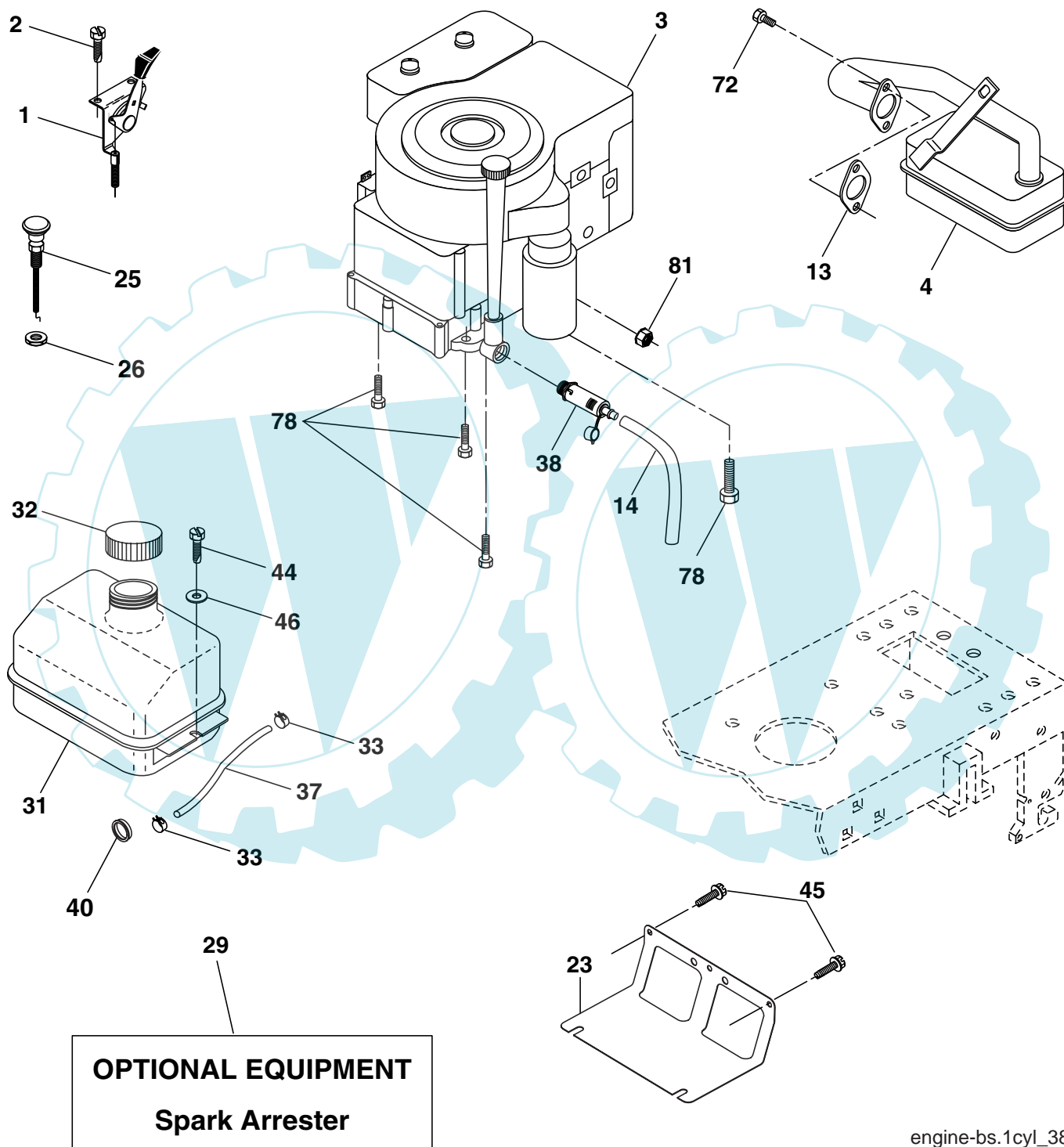
TRACTOR - MODEL NO. BL155107SBK (BL155107B), PRODUCT NO. 964 77 07-01  
STEERING ASSEMBLY

KEY NO.	PART NO.	DESCRIPTION
1	<b>532 18 59-58</b>	Wheel Steering
2	532 17 51-31	Axle Asm
3	532 16 98-40	Spindle Asm LH
4	532 16 98-39	Spindle Asm RH
5	532 12 49-31	Bearing Race Thrust Harden
6	532 12 17-48	Washer 25/32 x 1-5/8 x 16 Ga.
7	819 27 20-16	Washer 27/32 x 1-1/4 x 16 Ga.
8	812 00 00-29	Ring Klip #t5304-75
9	532 12 49-37	Bearing Col Strg Blk
10	532 17 51-21	Link Drag
11	810 04 06-00	Washer Lock Hvy Hlcl Spr 3/8
12	873 94 08-00	Nut Hex Jam Toplock 1/2-20 unf
13	532 13 65-18	Bearing Axle STLT/GT
15	532 14 52-12	Nut Hexflange Lock
17	532 18 06-41	Shaft Asm Strg
26	532 12 68-47	Bushing Link Drag Blk LR
28	819 13 14-16	Washer 13/32 x 7/8 x 16 Ga.
29	<b>817 00 06-12</b>	Screw 3/8-16 x 3/4 SMGML
30	876 02 04-12	Pin Cotter 1/8 x 3/4 Cad
32	532 13 04-65	Rod Tie Wire Form 19 75 Mech
36	532 15 50-99	Bushing Strg
37	532 15 29-27	Screw
38	<b>532 17 20-93</b>	Insert Cap Strg Wh
39	<b>819 18 24-11</b>	Washer 9/16 x 1/2 11 Ga.
40	<b>873 54 06-00</b>	Crownlock 3/8-24
41	<b>532 15 99-45</b>	Adaptor Wheel Strg
42	532 16 96-33	Boot Steering Shaft
43	532 12 17-49	Washer 25/32 x 1 1/4 x 16 Ga.
44	532 18 06-40	Extension Steering Shaft
46	532 12 12-32	Cap Spindle Fr Top Blk
47	532 18 32-26	Fitting Grease
51	873 54 04-00	Nut Crownlock
54	871 13 04-20	Bolt Hex 1/4-28 unf x 1-1/4 Gr. 8
65	532 16 03-67	Spacer Axle
67	<b>872 11 06-18</b>	Bolt RDHD SQNK 3/8-16 x 2-1/4
68	532 16 98-27	Axle, Brace
71	532 17 51-46	Steering Asm.
82	532 16 98-35	Bracket Susp Chassis Front
85	532 13 38-35	Fastner Christmas Tree
88	532 17 51-18	Bolt Shoulder 7/16-20 unc
91	532 17 55-53	Clip Steering
95	<b>532 18 89-67</b>	Washer Hardened

**NOTE:** All component dimensions given in U.S. inches.  
1 inch = 25.4 mm.

# REPAIR PARTS

TRACTOR - MODEL NO. BL155107SBK (BL155107B), PRODUCT NO. 964 77 07-01  
ENGINE



engine-bs.1cyl\_38

## REPAIR PARTS

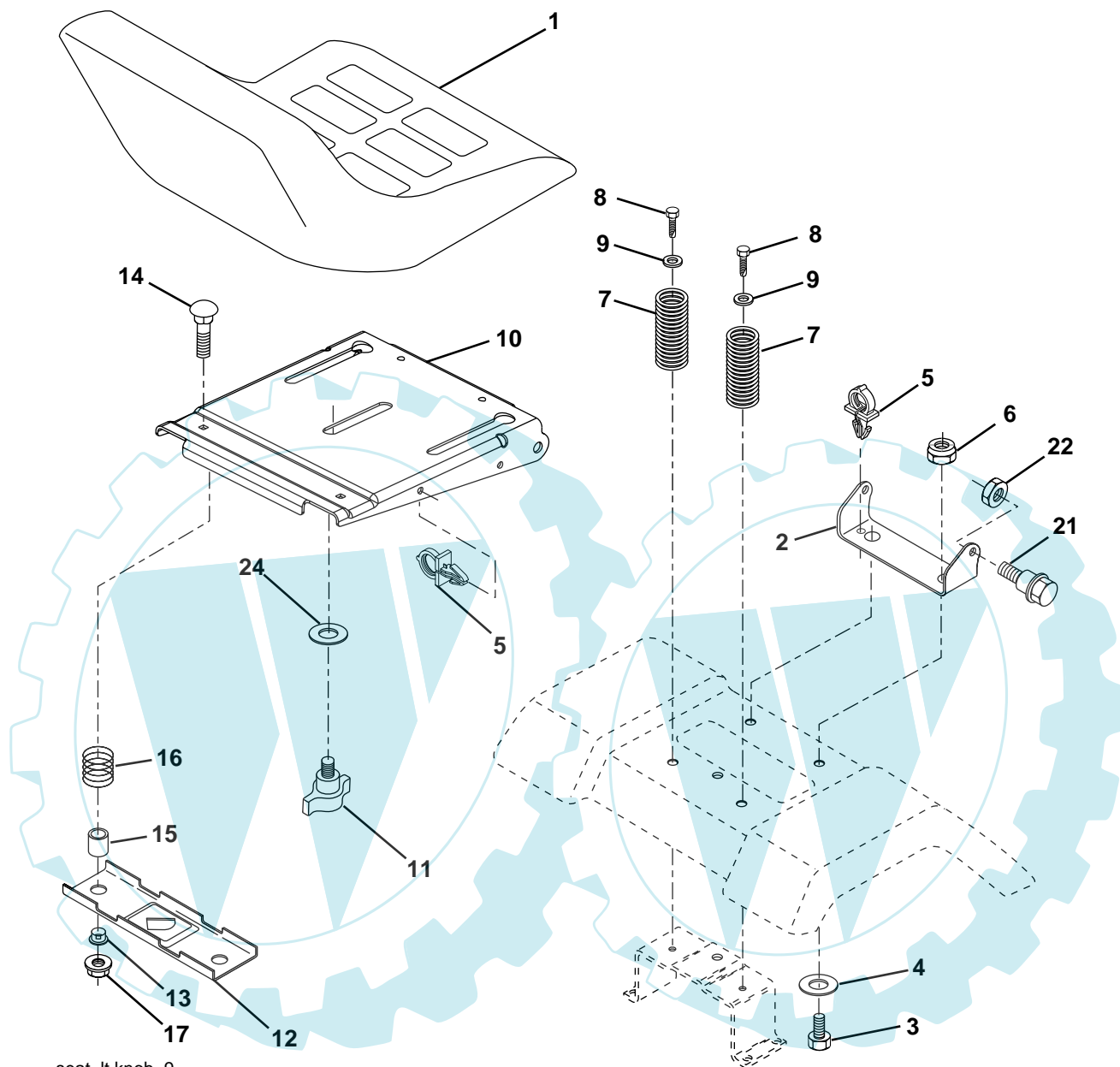
TRACTOR - MODEL NO. BL155107SBK (BL155107B), PRODUCT NO. 964 77 07-01  
ENGINE

KEY NO.	PART NO.	DESCRIPTION
1	532 17 05-51	Control Th/ch LH Flag
2	817 72 04-08	Screw Hex Thd Cut 1/4-20 x 1/2
3	-----	Engine B&S Model No. 31G777 (Order parts from engine manufacturer)
4	532 13 73-52	Muffler
13	532 16 52-91	Gasket
14	532 14 84-56	Tube Drain Oil Easy
23	532 16 98-37	Shield Brn/Dbr Guard
25	532 18 09-45	Control Choke
26	873 92 06-00	Nut Keps 3/8-24
29	532 13 71-80	Kit Spark Arrestor (Flat Scrn)
31	532 18 49-00	Tank Fuel Front
32	532 14 05-27	Cap Asm Fuel W/sym Vented
33	532 12 34-87	Clamp Hose Black
37	532 13 70-40	Line Fuel 20"
38	532 18 16-54	Plug Drain Oil Easy
40	532 12 40-28	Bushing Snap Nyl Blk Fuel Line
44	817 67 04-12	Screw Hexwsh Thdrol 1/4-20 x 3/4
45	817 00 06-12	Screw 3/8-16 x 3/4
46	819 09 14-16	Washer 9/32 x 7/8 x 16 Ga.
72	532 18 39-06	Screw Socket Head 5/16-18 x 1
78	817 06 06-20	Screw 3/8-16 x 1-1/4 SMGML
81	873 51 04-00	Nut Keps Hex 1/4-20

**NOTE:** All component dimensions given in U.S. inches  
1 inch = 25.4 mm

# REPAIR PARTS

TRACTOR - MODEL NO. BL155107SBK (BL155107B), PRODUCT NO. 964 77 07-01  
SEAT ASSEMBLY



seat\_lt.knob\_9

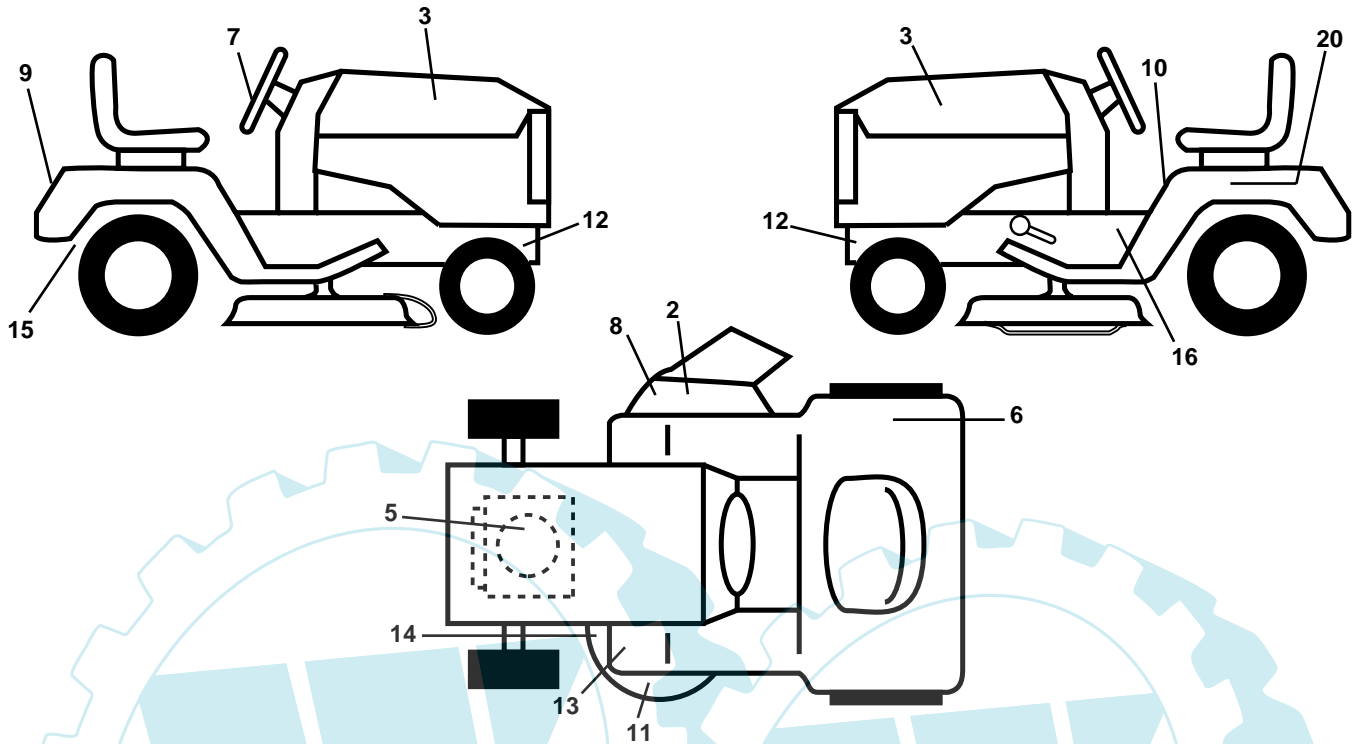
KEY NO.	PART NO.	DESCRIPTION
1	532 18 87-05	Seat
2	532 18 01-66	Bracket Pivot Seat
3	871 11 06-16	Bolt Fin Hex 3/8-16 unc x 1
4	819 13 16-10	Washer 13/32 x 1 x 10 Ga.
5	532 14 50-06	Clip Push-In
6	873 80 06-00	Nut Hex w/Ins. 3/8-16 unc
7	532 12 41-81	Spring Seat Cprsn 2 250 Blk Zi
8	817 00 06-16	Screw 3/8-16 x 1.5 SMGML
9	819 13 16-14	Washer 13/32 x 1 x 14 Ga.
10	532 18 01-86	Pan Seat
11	532 16 63-69	Knob Seat
12	532 12 12-46	Bracket Mounting Switch

KEY NO.	PART NO.	DESCRIPTION
13	532 12 12-48	Bushing Snap Blk Nyl 50 Id
14	872 05 04-12	Bolt Rdhd Sqnk 1/4-20 x 1-1/2
15	532 13 43-00	Spacer Split
16	532 12 12-50	Spring Cprsn 1.310 Ga.
17	532 12 39-76	Nut Lock 1/4 Lge Flg Gr. 5 Zinc
21	532 17 18-52	Bolt SHLD 5/16-18 Unc-2A
22	873 80 05-00	Nut Hex Lock W/Ins 5/16-18
24	819 17 19-12	Washer 17/32 x 1-3/16 x 12 Ga.

**NOTE:** All component dimensions given in U.S. inches.  
1 inch = 25.4 mm

# REPAIR PARTS

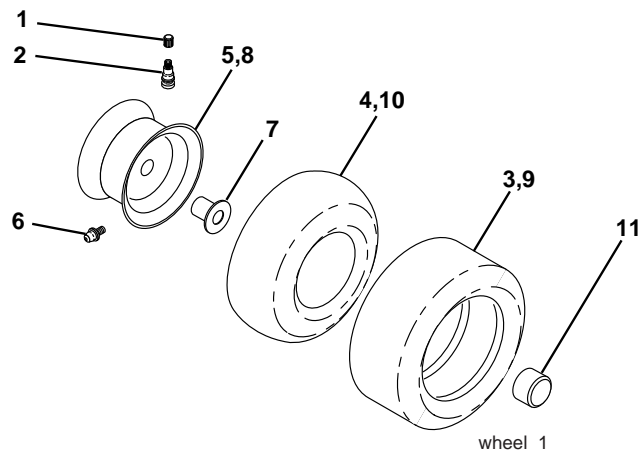
TRACTOR - MODEL NO. BL155107SBK (BL155107B), PRODUCT NO. 964 77 07-01  
DECALS



KEY NO.	PART NO.	DESCRIPTION
2	532 17 91-28	Decal Deck
3	<b>532 18 96-23</b>	Decal Hood
5	<b>532 18 95-13</b>	Decal HP Engine
6	532 18 04-32	Decal Europe Stand 100 DB/CE
7	<b>532 18 96-49</b>	Decal, Ins. Strg Whl.
8	532 18 21-66	Decal Mower Cutfnger
9	<b>532 18 95-57</b>	Decal Fender Bernard
10	532 14 54-98	Decal Read Owner's Manual Syms.
11	532 13 49-99	Decal Deck
12	532 15 97-36	Decal Chassis Hot Muffler

KEY NO.	PART NO.	DESCRIPTION
13	532 15 97-37	Decal Brake/Clutch Symbol LT
14	532 16 03-96	Decal V-Belt Schematic
15	532 16 25-98	Decal Drawbar Load Limit
16	532 14 08-37	Decal Saddle Brake Parking
20	532 14 50-05	Decal Bat Dan/Psn
--	532 18 10-91	Pad Footrest LH STLT
--	532 18 10-90	Pad Footrest RH STLT
--	532 13 83-11	Decal Handle Lift Height Adjust
--	532 10 62-02	Reflector Tail Lights
--	532 18 52-39	Manual Operator's (Euro.)

## WHEELS & TIRES



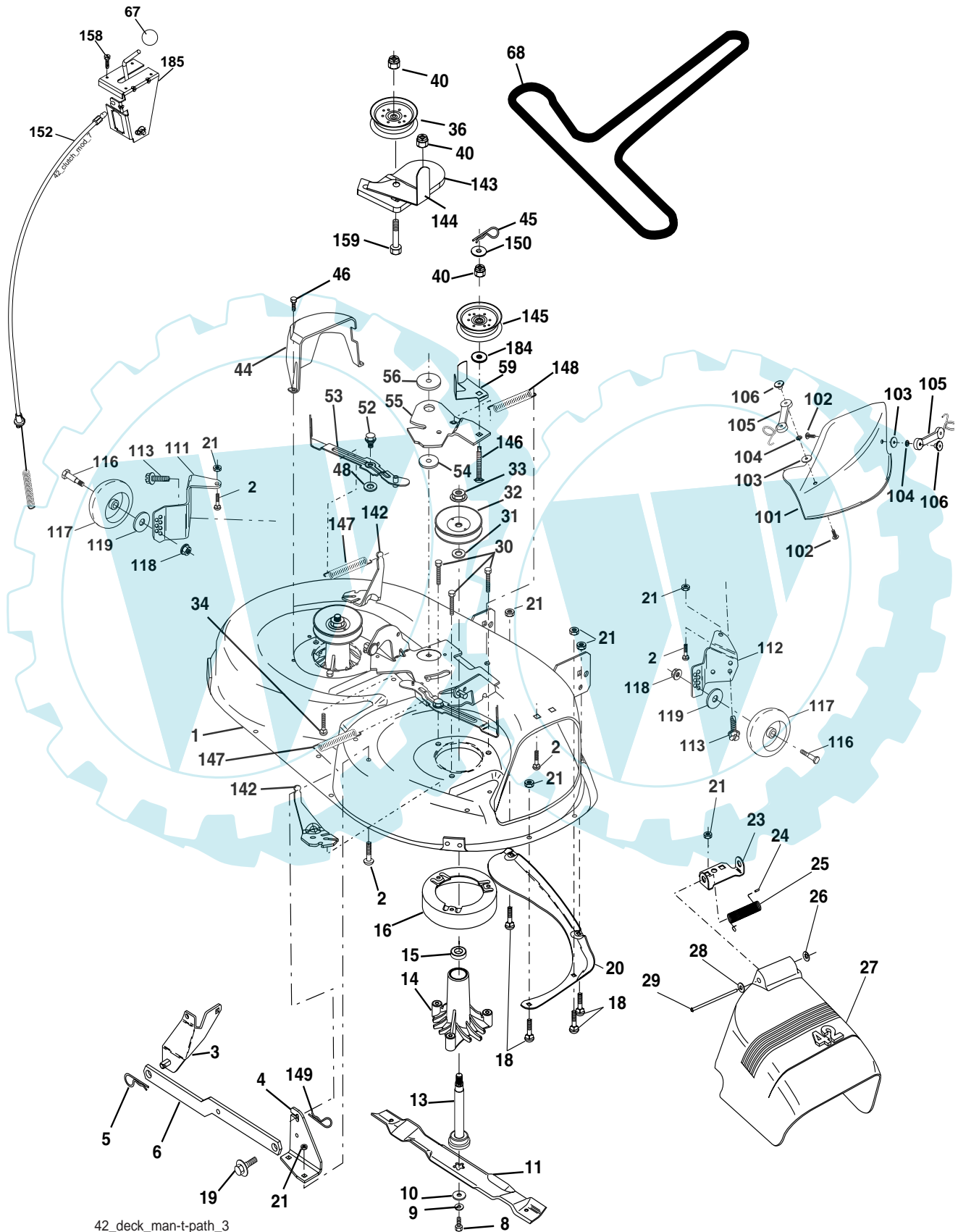
KEY NO.	PART NO.	DESCRIPTION
1	532 05 91-92	Cap Valve Tire
2	532 06 51-39	Stem Valve
3	532 10 62-22	Tire F Ts 15 x 6 0 - 6 Service
4	532 05 99-04	Tube Front (Service Item Only)
5	532 12 51-21	Rim Asm 6"front Service
6	532 12 49-57	Fitting Grease (Front Wheel Only)
7	532 12 49-59	Bearing Flange (Front Wheel Only)
8	532 12 51-22	Rim Asm 8"rear Service
9	532 10 62-68	Tire R Ts 18 x 9 5-8 C Service
10	532 12 49-26	Tube Rear (Service Item Only)
11	532 17 50-39	Cap Axle Blk 1 50 x 1 00
--	532 14 43-34	Sealant, Tire ( 10 oz. Tube)

**NOTE:** All component dimensions given in U.S. inches  
1 inch = 25.4 mm



# REPAIR PARTS

TRACTOR - MODEL NO. BL155107SBK (BL155107B), PRODUCT NO. 964 77 07-01  
MOWER DECK



42\_deck\_man-t-path\_3

# REPAIR PARTS

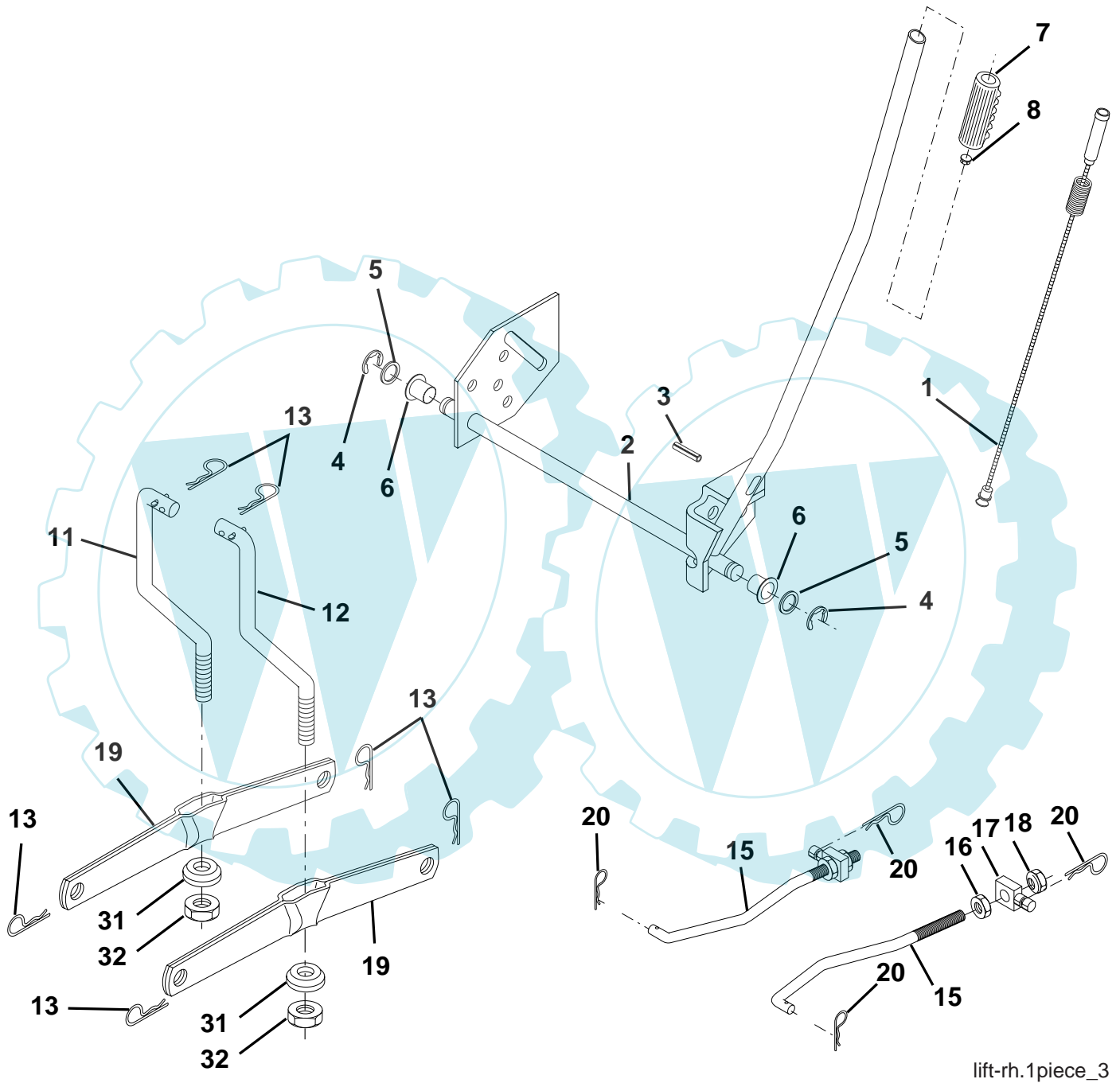
TRACTOR - MODEL NO. BL155107SBK (BL155107B), PRODUCT NO. 964 77 07-01  
MOWER DECK

KEY NO.	PART NO.	DESCRIPTION	KEY NO.	PART NO.	DESCRIPTION
1	532 16 58-92	Housing Asm Mower	59	532 14 10-43	Guard, Belt
2	872 14 05-06	Bolt Rdhd Sqnk 5/16-18 unc x 3/4	67	532 10 69-32	Knob Rd 3/8-16 Plstc Thds Blk
3	532 13 80-17	Bracket Asm Fr Sway Bar 38/42	68	532 18 02-15	V-Belt Mower
4	532 16 54-60	Bracket Asm Deck 42"sway Bar	101	532 13 64-20	Cover Mulching
5	532 12 46-70	Retainer Spring	102	871 08 10-10	Screw Pan HD 10-24 x 5/8
6	532 17 80-24	Bar Sway Deck	103	819 06 12-16	Washer #10
8	532 85 08-57	Bolt 3/8-24 x 1 25 Gr. 8 Patched	104	810 07 10-00	Washer Lock #10
9	810 03 06-00	Washer Lock Hvy 3/8 Unplated	105	532 16 07-93	Latch
10	532 14 02-96	Washer Hard Blade Mower Vented	106	532 12 50-04	Nut Weld .327/.304 #10 10-24
11	<b>532 13 41-49</b>	Blade Mower	111	532 17 92-92	Bracket Gauge Wheel Lh
13	532 13 76-45	Shaft Asm W/lower Bearing	112	532 17 92-93	Bracket Gauge Wheel Rh
14	532 12 87-74	Housing Mandrel Vented(machd)	113	<b>817 00 05-10</b>	Bolt 5/16-18 Hex Wsh Hd Lck Serr
15	532 11 04-85	Bearing Ball Mandrel	114	873 51 05-00	Nut Keps 5/16-18 unc
16	532 17 44-93	Stripper Round Mower	116	532 12 48-42	Bolt Shoulder
18	872 14 05-05	Bolt Carr 5/16-18 x 5/8	117	532 16 57-46	Wheel Gauge
19	532 13 28-27	Bolt Shoulder	118	873 93 06-00	Nut Centerlock 3/8-16 unc
20	532 15 97-70	Baffle Vortex	119	819 12 14-14	Washer 3/8 x 7/8 x 14 Ga.
21	873 68 05-00	Nut Crown Lock 5/16-18	142	532 16 58-90	Arm Spring Brake Mower
23	532 17 75-63	Bracket Deflector Mower 42"	143	532 15 71-09	Bracket Arm Idler 42"
24	532 10 53-04	Cap Sleeve 80 x 112 Blk Mower	144	532 15 86-34	Keeper Belt 42" Clutch Cable
25	532 12 37-13	Spring Torsion Deflector 2 52	145	532 16 58-88	Pulley Idler Flat
26	532 11 04-52	Nut Push Phos & Oil	146	532 17 19-77	Bolt Carriage Idler
27	532 17 18-59	Shield Deflector	147	532 17 97-48	Spring Extension
28	819 11 10-16	Washer 11/32 x 5/8 x 16 Ga.	148	532 16 90-22	Spring Return Idler
29	532 13 14-91	Rod Hinge 42"6 75 Wlg	149	532 16 58-98	Retainer Spring Yellow
30	532 17 39-84	Screw Thdrol Washer Head	150	<b>819 09 12-10</b>	Washer 9/32 x 3/4 x 10 Ga.
31	<b>532 18 76-90</b>	Washer Spacer	152	532 18 15-55	Clutch Cable 42"
32	532 15 35-35	Pulley Mandrel	158	817 72 04-08	Screw Hex Thd Cut 1/4-20 x 1/2
33	532 17 83-42	Nut 9/16top Lock Flng Cntr	159	872 14 06-14	Bolt Rdhd Sqn 3/8-16 unc x 1-3/4
34	<b>872 11 06-12</b>	Bolt RDHD 3/8-16 unc x 1-1/2 Gr. 5	184	819 13 14-10	Washer 13/32 x 7/8 x 10 Ga.
36	532 13 14-94	Pulley Idler Flat 3 060	185	<b>532 18 82-34</b>	Head Asm Cable Clutch
40	<b>873 90 06-00</b>	Nut Lock Flg. 3/8-16 unc	--	532 13 07-94	Mandrel Assembly (Includes Housing, Shaft and Shaft Hardware Only-Pulley Not Included)
44	532 14 00-88	Guard Mandrel LH Black	--	<b>532 18 12-81</b>	Replacement Mower, Complete (Order separately mulcher cover and gauge wheel components key nos. 101-106 and 116-119)
45	532 12 47-88	Spring Retainer 1" Zinc/cad			
46	532 13 77-29	Screw Thdrol 1/4-20 x 5/8			
48	532 13 39-44	Washer Hardened Samllr			
52	532 13 98-88	Bolt Shoulder 5/16-18 unc Blkz			
53	532 18 49-07	Arm Asm Pad Brake			
54	532 17 85-15	Washer Hardened			
55	532 15 50-46	Arm Idler 42"mower LT/YT			
56	532 16 57-23	Spacer Retainer Mower			

**NOTE:** All component dimensions given in U.S. inches  
1 inch = 25.4 mm

# REPAIR PARTS

TRACTOR - MODEL NO. BL155107SBK (BL155107B), PRODUCT NO. 964 77 07-01  
MOWER LIFT



lift-rh.1piece\_3

## REPAIR PARTS

TRACTOR - MODEL NO. BL155107SBK (BL155107B), PRODUCT NO. 964 77 07-01  
MOWER LIFT

KEY NO.	PART NO.	DESCRIPTION
1	532 15 94-61	Wire Asm Inner Spring W/Plunger
2	532 15 94-76	Shaft Asm. Lift
3	532 17 89-81	Pin Groove
4	812 00 00-02	E Ring #5133-62
5	819 21 16-21	Washer 21/32 x 1 x 21 Ga.
6	532 12 01-83	Bearing Nylon
7	532 10 94-13	Grip Handle
8	532 12 45-26	Button Plunger
11	532 13 98-65	Link Lift LH
12	532 13 98-66	Link Lift RH
13	532 12 46-70	Retainer Spring
15	532 17 32-88	Link Front
16	873 35 08-00	Nut Jam Hex 1/2-13 unc
17	532 17 56-89	Trunnion
18	873 80 08-00	Nut Lock W/Wsh 1/2-13 unc
19	532 13 98-68	Arm Suspension Mower
20	532 16 35-52	Retainer Spring
31	532 16 98-65	Bearing Pvt. Lift
32	873 54 06-00	Nut Crownlock 3/8-24

**NOTE:** All component dimensions given in U.S. inches  
1 inch = 25.4 mm